

Bedside Rail

Get into and out of bed safely

code : M500



The Mobilita logo, featuring a stylized orange figure with a white circle for a head, positioned above the word "mobilita" in a white, lowercase, sans-serif font.

www.mobilita.in
TollFree : 1800 121 8485



www.mobilita.in
TollFree : 1800 121 8485

The Mobilita logo, featuring a stylized orange figure with a white circle for a head, positioned above the word "mobilita" in a white, lowercase, sans-serif font.

code M500

Bedside Rail

Assembly Instructions



WARNING

This bed rail is not to be used as a restraint. Using bed rail as restraint can place a patient's safety at risk.

Not for use for those who suffer from seizures or other issues resulting in the loss of control of bodily movements.

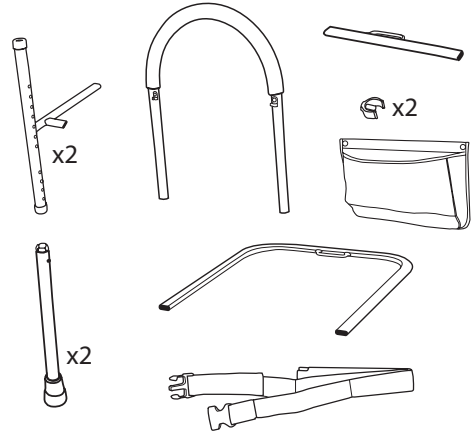
Conditions such as agitation, delirium, confusion, pain, hypoxia, or needing to go to the bathroom can cause a bed rail user to attempt to climb over, around, between, or through the rails, or over the footboard, possibly causing death or injury. Bed rail user should be monitored to make sure such actions do not occur and to give help if necessary.

Do not place babies in bed fitted with bed rails. Do not allow children to play on or around bed rails. These bed rails are not to be used to prevent children from falling out of bed.

If gap between bed rail and mattress is more than 2" readjust so the bed rail is flush against the mattress.

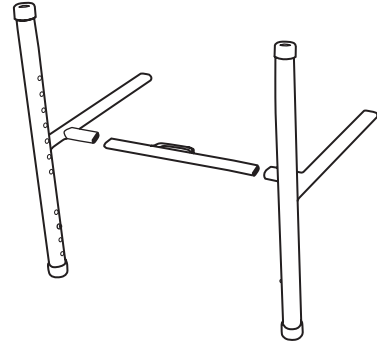
If this item is being purchased for someone, be sure to explain the benefits and the dangers of bed rails.

Check all parts.



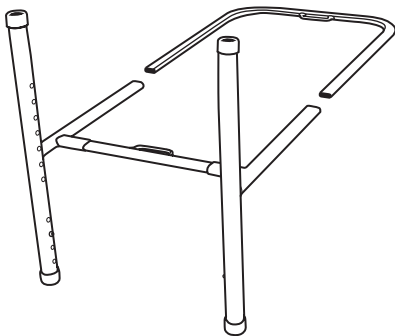
Step 1

Connect cross bar to posts (x2)



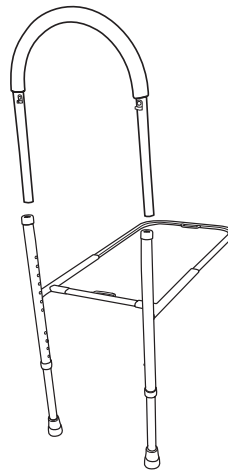
Step 2

Add under-bed support frame



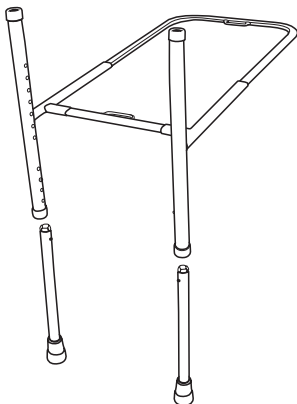
Step 3

Insert foam handle



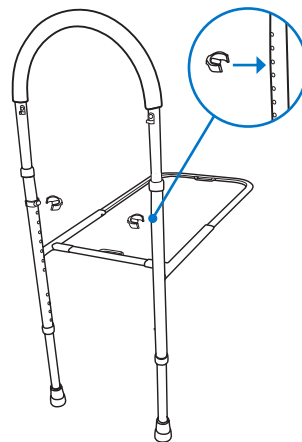
Step 5

Insert legs (x2) so they rest firmly on the ground



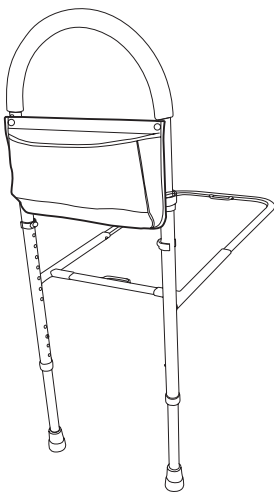
Step 4

Use E-clips (x2) to secure handle and adjust height



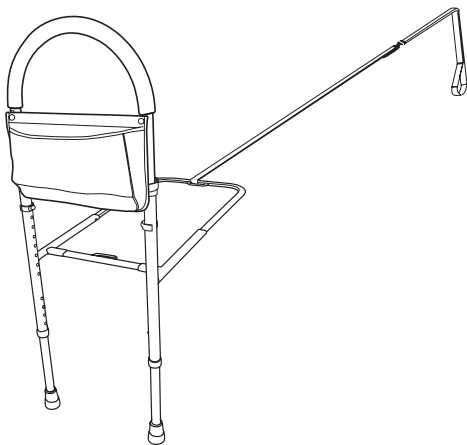
Step 6

Add mesh pouch



Step 7

Secure safety strap by looping around bedrail and back through slot on underbed frame



Step 8

Warranty

Your Mobilita branded product is warranted to be free of defects in materials and workmanship for the product of the original consumer purchaser.

This device was built to exacting standards and carefully inspected prior to shipment. This Warranty is an expression of our confidence in the materials and workmanship of our products and our assurance to the consumer of years of dependable service.

This warranty does not cover device failure due to owner misuse or negligence, or normal wear and tear. The warranty does not extend to non-durable components, such as rubber accessories, casters, and grips, which are subject to normal wear and need periodic replacement.

If you have a question about your Mobilita device or this warranty, please contact an authorized Mobilita dealer.



© 2017 Eternity Distribution Pvt. Ltd. All rights reserved

Mobilita is a trademark of
Eternity Distribution Pvt. Ltd.

Chennai, Tamil Nadu, India | Made in China for Mobilita
customer@mobilita.in | TollFree 1800 121 8485