

# Ibiza Premium Shower chair with Armrest

CODE M402

[www.mobilita.in](http://www.mobilita.in)  
TollFree : 1800 121 8485

The logo for mobilita features a stylized orange figure of a person sitting in a wheelchair, positioned to the left of the word "mobilita" which is written in a white, lowercase, sans-serif font. A registered trademark symbol (®) is located at the top right of the word.

mobilita®

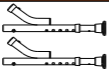
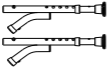


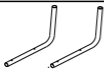
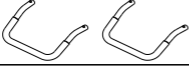
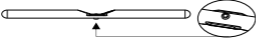




## Product Description

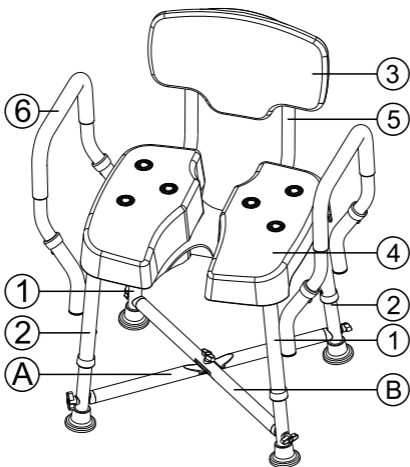
**Weight Capacity : 227 Kg**



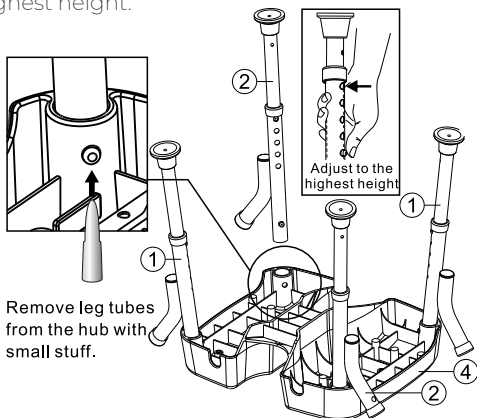
Mobilita Shower Chair is a product of quality engineering and is manufactured to meet rigid specifications.

Please read this manual carefully to ensure safe usage and understanding of maintenance instructions.

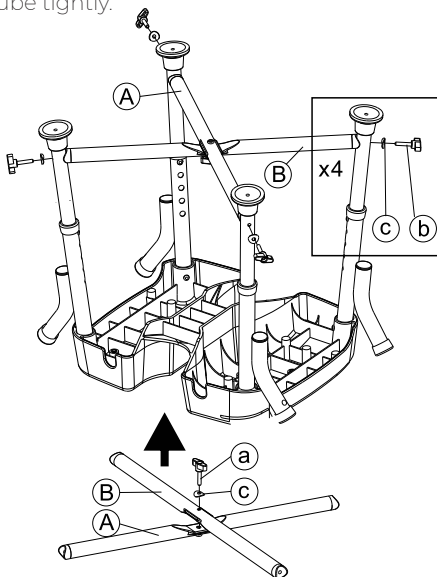
Parts	NO.	Qty	
	Leg tube-1	①	2
	Leg tube-2	②	2
	Backrest	③	1
	Seat	④	1
	Tubes for backrest	⑤	2
	Hand rest tube	⑥	2
	tube A	Ⓐ	1
	tube B	Ⓑ	1
	Screw-M6x28L	Ⓐ	1
	Screw-M6x38L	Ⓑ	8
	R Type Washer	Ⓒ	9



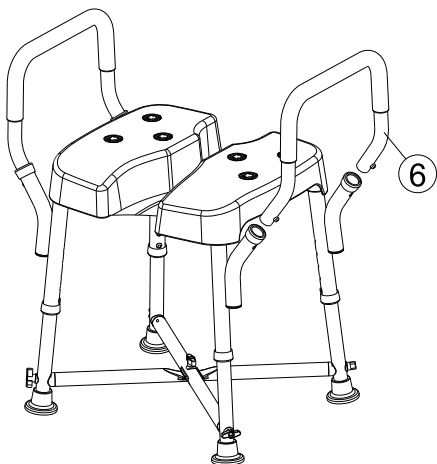
**1** Insert each leg tube 1 & 2 into the seat 1.2 location. (Caution: For secure installation, make sure the button on each leg is fully engaged to the hub on the seat). Depress the push button and pull the lower leg to the highest height.



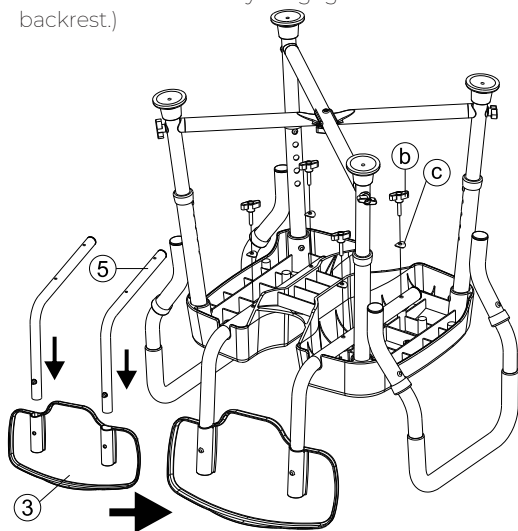
**2** Put tube B on A in the cross position and then screw tube A on B with parts c & a in the center. After assembled, turn the cross leg set to opposite side. As shown in partial magnified figure, screw parts b & c with leg tube tightly.



**3** Assemble hand rests into leg tubes.

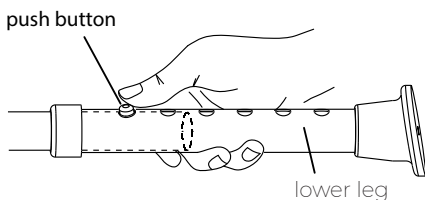


**4** Assemble the backrest into back tubes. Fix the four points of tubes **5** onto seat with parts **b** & **c** (caution : for secure installation, make sure the button on each tube is fully engaged to the hub on the backrest.)



## HEIGHT ADJUSTMENT

Depress the push button and pull the lower leg to the desired length; ensure that the push button snaps through the latch hole. Repeat with remaining legs, so that all legs are adjusted to the same length.



## Caution

- Read instruction before assembly.
- Please check before assembling if the parts quantities are correct.
- Should be checked before each use to make sure it is securely assembled. Reinstall if necessary.
- Max User Weight 227 kgs
- Do not sit alone on the corner of the seat to avoid injuries.
- Loosely install each screw one by one firstly. once all screw are inserted, tighten all screws fully.
- Mobilita assumes no liability for any damage or injury caused by improper assembly or use of this product.

## Warranty

Your Mobilita branded product carries a limited warranty to be free from defects in material and workmanship. Applicable to the original purchaser only.

This device is built to exacting standards and carefully inspected prior to shipment. This Warranty is an expression of our confidence in the materials and workmanship of our products and our assurance to the consumer of years of dependable service.

This warranty does not cover device failure due to owner misuse or negligence, or normal wear and tear. The warranty does not extend to non-durable components, such as rubber accessories, casters, and grips, which are subject to normal wear and need periodic replacement.

If you have a question about your Mobilita device or this warranty, please contact an authorized Mobilita dealer.



© 2018 Eternity Distribution Pvt. Ltd. All rights reserved

Mobilita is a trademark of  
**Eternity Distribution Pvt. Ltd.**

Chennai, Tamil Nadu, India | Made in Taiwan for Mobilita  
customer@mobilita.in | TollFree 1800 121 8485



[www.mobilita.in](http://www.mobilita.in)  
TollFree : 1800 121 8485

The logo for 'mobilita' features a stylized orange figure of a person riding a bicycle, positioned behind the lowercase text 'mobilita'. The 'i' in 'mobilita' has a white dot. A registered trademark symbol (®) is located at the top right of the text.

mobilita®